

NITECORE®

The All-Round Flashlight Expert

MH25 User Manual

Features

- Premium CREE XM-L2 T6 LED
- Maximum output of 960 lumens
- High efficiency regulation circuit
- Maximum runtime of up to 28 hours
- Intelligent charging circuit with voltage detection charges safely and rapidly
- Integrated micro USB charging port is water, dust and impact resistant.
- Multiple output modes are conveniently accessed via rapid rotary switch
- User-defined mode provides customized brightness levels plus strobe and SOS modes.
- Intelligent memory function stores preferred brightness setting
- Broad voltage circuit accepts both rechargeable and non-rechargeable Lithium batteries
- Optimized ultra-precise reflector offers a longer beam distance than competing products
- Waterproof in accordance with IPX8 (submersible to two meters)
- Stainless steel bezel ring protects core components from damage
- Toughened ultra-clear mineral glass with anti-reflective coating
- Constructed from aerospace-grade aluminum alloy
- HAIII military grade hard-anodized
- Reverse polarity protection
- Stainless steel titanium-plated clip
- Anti-rolling design

Dimensions

Length: 160mm (6.3")
 Head Diameter: 40mm (1.57")
 Tail Diameter: 25.4mm (1")
 Weight: 145grams (5.1oz)(without battery)

Accessories

Nitecore 18650 Li-ion battery(NL183),
 tactical ring, lanyard, USB cable, clip,
 holster, spare switch cap and spare
 O-ring

Battery Options

	TYPE	Nominal voltage	Compatible
18650 Rechargeable Li-ion battery	18650	3.7V	Yes (Compatible and can be recharged)
Primary Lithium battery *	CR123	3V	Yes (Compatible but can NOT be recharged)
Rechargeable Li-ion battery *	RCR123	3.7V	Yes (Compatible but can NOT be recharged)

Warning: Charge 18650 rechargeable Li-ion batteries only, do not attempt to charge non-rechargeable batteries, CR123 or RCR123 batteries.

Brightness & Runtime

FL 1 STANDARD	TURBO	HIGH	MID	LOW	STROBE	SOS
	960 LUMENS	350 LUMENS	143 LUMENS	44 LUMENS	960 LUMENS	960 LUMENS
	1h45min	3h15min	8h30min	28h	—	—
	1h30min	3h	7h30min	22h	—	—
	310m	179m	109m	65m	—	—
	24000cd	8000cd	3000cd	1000cd	—	—
	1.5m (Impact Resistant)					
	IPX8, 2m (Waterproof AND Submersible)					

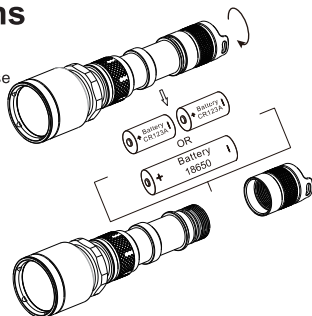
NOTICE

Standard data has been measured according to the international flashlight testing standards ANSI/NEMA FL1 using a quality NITECORE 18650 (3.7V 2600mAh) battery or two SYSMAX CR123 (3V 1550mAh) batteries under laboratory conditions. The data may vary due to individual usage habits and environmental conditions.

Operation instructions

Battery Installation

1. Unscrew the tail cap in a counter-clockwise direction.
2. Insert one 18650 battery or two CR123 batteries with the positive pole pointing forward (toward the light head).



NOTE:

Ensure batteries are inserted with the positive (+) end pointing to the head. The MH25 will not operate with incorrectly inserted batteries.

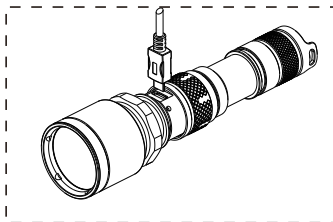
Charging Function

The MH25 is capable of charging a protected 18650 Li-ion battery via the included USB cable. Simply install a protected 18650 Li-ion cell, plugging one end of the USB cable into the flashlight and the other end into a universal USB port / adaptor and the MH25 will take care of the rest.

Charging indicator light

1. Connect the charging cable to the flashlight and the A/C power adapter to the wall

- outlet as shown in the adjacent image. Fully charging a depleted 18650 battery takes approximately 6 hours.
2. Under normal charging conditions, the red indicator light near the charging port will blink twice every second.
3. If a problem is detected during the charging process, the MH25 will stop charging and the red indicator will blink rapidly. This is usually caused by faulty or incorrectly inserted batteries.
4. When charging is complete, the red indicator will illuminate steadily.



Caution:

The MH25 needs to be turned on in order to enter charging mode.

Switching ON/OFF

To switch ON: Press the button on the tailcap until a "click" is heard.
 To switch OFF: Press the button on the tailcap a second time until a "click" is heard.

Mode Switching

The Nitecore MH25 has two modes: Turbo and user-defined. These two modes can be changed by simply tightening and loosening the flashlight head. Turbo provides 100% output while user-defined contains five selectable sub-modes.

Turbo Mode

Turbo mode provides an output of 860 lumens and is accessed when the flashlight is switched ON with the head lightly tightened. While in this mode, momentary illumination can be achieved by switching off the flashlight and then half pressing and holding the switch.

Note: After three minutes of use in turbo mode, the flashlight will lower its output automatically to preventing overheating and increase runtime.

User-Defined Mode

User-defined mode is accessed by slightly loosening the flashlight head. In this mode, lightly and rapidly pressing the switch will cycle through brightness and other functions in the following order: "High-Mid-Low-SOS-Strobe". Pressing the switch all the way down will save and memorize a desired setting.

Tips: Make NITECORE MH25 your perfect multitask hybrid flashlight.

NITECORE MH25 flashlights essentially have two modes: Turbo mode (100% output) and custom mode. Turbo mode is accessed by tightening the flashlight head while any of the five customizable modes (strobe, SOS, low, medium and high) are selected by loosening the head and rapidly pressing the on/off switch to cycle through the modes. A given mode can be saved by simply turn off the light while in that mode. Real-world examples include: When used as a flashlight around the home, the head can be loosened and low level selected in custom mode, providing long runtimes at a lower light intensity. The same flashlight could then be taken out and used as a law-enforcement duty light, with user-defined mode set in strobe, making it easy to alternate between turbo mode and strobe with a simple twist of the flashlight head.

Maintenance

Every 6 months, threads should be wiped with a clean cloth followed by a thin coating of silicon-based lubricant.

Warranty Service

All NITECORE® products are warranted for quality. Any defective / malfunctioning NITECORE® product can be repaired free of charge for a period of 60 months (5 years) from the date of purchase. Beyond 60 months (5 years), a limited warranty applies, covering the cost of labor and maintenance, but not the cost of accessories or replacement parts.

The warranty is nullified in all of the following situations:

1. The product(s) is/are broken down, reconstructed and/or modified by unauthorized parties.
2. The product(s) is/are damaged through improper use.
3. The product(s) is/are damaged by leakage of batteries.

For the latest information on NITECORE® products and services, please contact a local NITECORE® distributor or send an email to service@nitecore.com

※All images, text and statements specified herein this user manual are for reference purpose only. Should any discrepancy occurs between this manual and information specified on www.nitecore.com, information on our official website shall prevail. Sysmax Industry Co., Ltd. reserves the rights to interpret and amend the content of this document at any time without prior notice.

SYSMAX Ind.

SYSMAX Industry Co., Ltd.

TEL: +86-20-83862000

FAX: +86-20-83882723

E-mail: info@nitecore.com

Web: www.nitecore.com

Address: Rm 2601-06, Central Tower, No.5 Xiancun Road, Tianhe District, Guangzhou, 510623, Guangdong, China

Please find us on facebook:
 NITECORE Flashlight



20170922

Thanks for purchasing NITECORE!