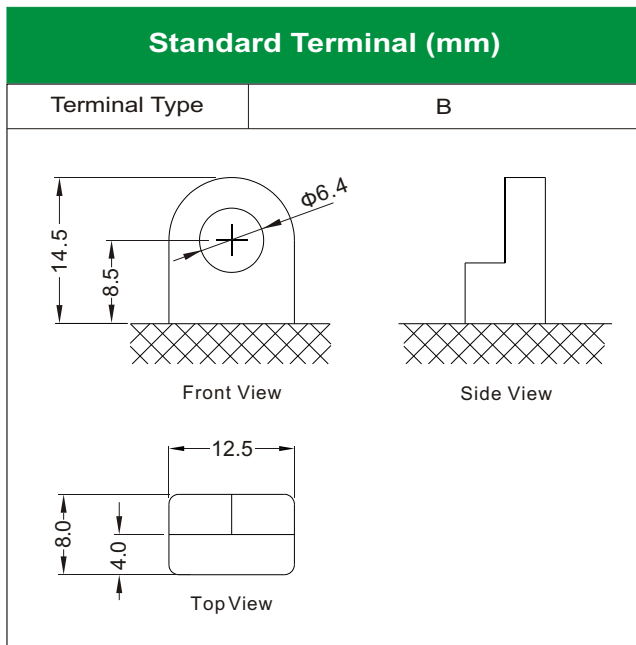
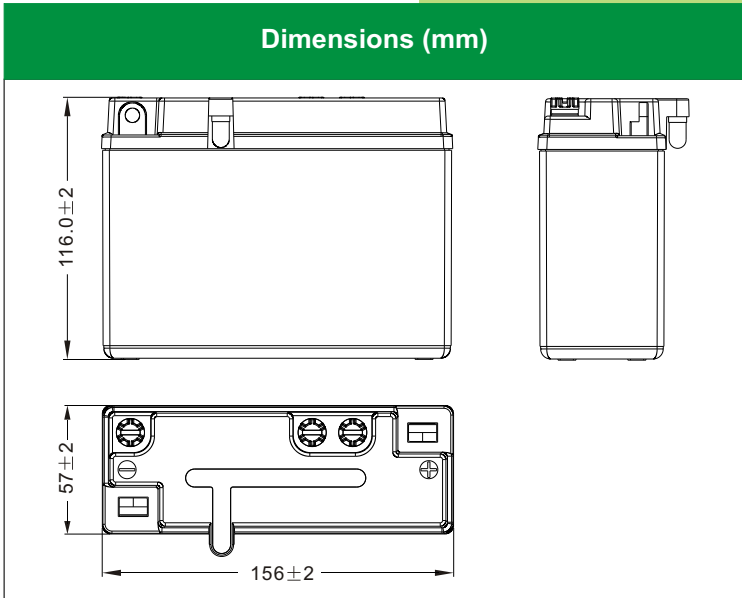


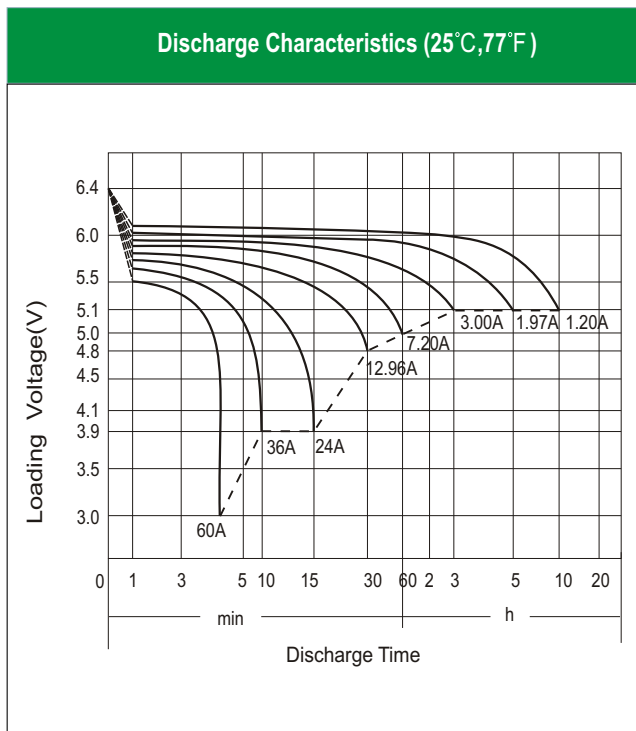


# B54-6A [6V12Ah]



### Physical Specification

Nominal Voltage		6V
Nominal Capacity (10HR)		12AH
Dimension	Length	156 ± 2mm (6.14 inches)
	Width	57 ± 2mm (2.24 inches)
	Container Height	116 ± 2mm (4.57 inches)
	Total Height (with Terminal)	116 ± 2mm (4.57 inches)
Weight	Battery(with acid): Approx 2.11kg (4.65lbs) Electrolyte: Approx 0.55kg (1.21lbs)	
<ul style="list-style-type: none"> <li>* High performance and dry charged high quality and flooded battery</li> <li>* Low maintenance</li> <li>* Shipped without battery electrolyte pre-charged and ready to install</li> <li>* Replaces none battery</li> </ul>		



### Electrical Specification

Rated Capacity	10 hour rate (1.20A)		12.00AH
	5 hour rate (1.97A)		9.84AH
	2 hour rate (4.20 A)		8.40AH
	1 hour rate (7.20 A)		7.20AH
	0.5 hour rate (12.96 A)		6.48AH
Capacity affected by Temperature	40 C (104 F)		106%
	25 C (77 F)		100%
	0 C (32 F)		86%
	-15 C (5 F)		65%
Self Discharge	Approximately 12% per month (25C (77F ))		
Charging Methods	Full Charge	Constant-Voltage Charge: Initial charging current: less than 3.6A Voltage: 7.20 V ~ 7.50 V at 25°C (77 °F) Charging time: 16 ~24h Constant-Current Charge: Charging current: 1.2A, when charging voltage up to 7.80V, continue to charge 2h.	
	Floating Charge	No limit on Initial charging current Voltage: 6.75V ~ 6.90V at 25 °C (77 °F)	